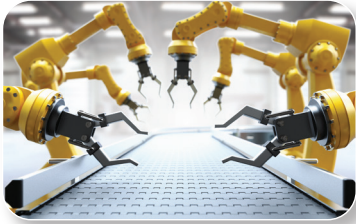


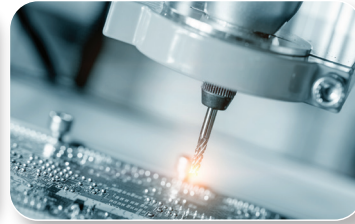
Applications:



Industrial Robot



Medical Equipment



Industrial Machinery



Positive-Lock



P=2.0 mm



Wide Variation

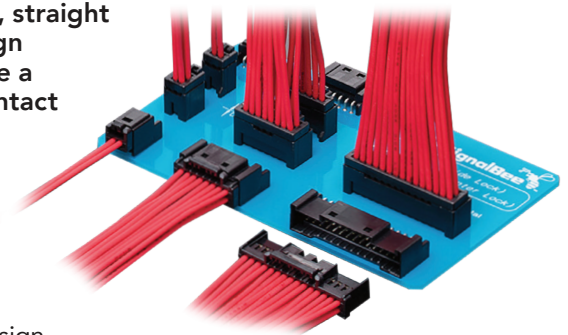
Introducing the DF51K Series – Center-Lock Connector



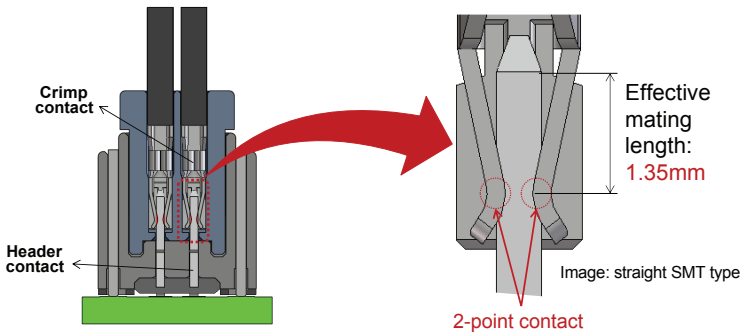
Discover the DF51K Series by Hirose: a 2mm pitch, center lock wire-to-board connector. Designed with versatility in mind, it offers options like THT/SMT, straight or right-angle alignments, and even gold or tin plating. Its center lock design promotes high-density mounting while ensuring easy operation. Experience a secure connection every time with its tactile click feature and enhanced contact reliability. Plus, have confidence in its quality with UL/C-UL certification.

2mm Pitch, Center Lock, Wire-to-Board Connector

- Wide-ranging options to satisfy various customer requirements:
 - THT/SMT, Straight/Right angle, Single/Double row, Gold/Tin Plating, etc.
- Center Lock design enables high density mounting and easy operation
- Secure mating with clear tactile click prevents incomplete insertion
- High contact reliability with long effective mating length and 2-point contact design
- Applicable Cable: 22-30 AWG
- UL/C-UL certified / THT & SMT Type

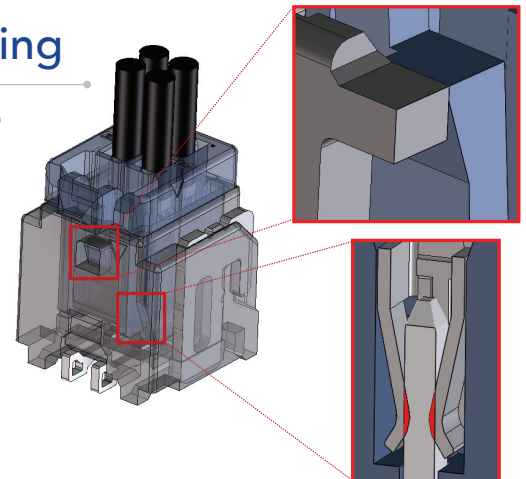


High Contact Reliability



Secure Mating

A clear tactile click prevents incomplete insertion

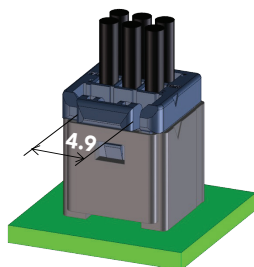


Easy Operation

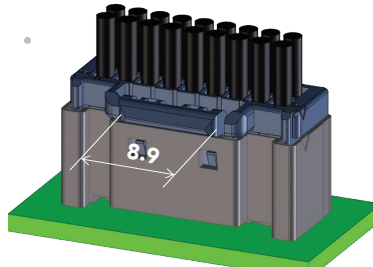
[CLICK HERE FOR MORE INFORMATION](#)

[CLICK HERE TO ORDER SAMPLE NUMBER: US-DF51KSAMPLE-23](#)

Low pin-count (6pos.)



Medium pin-count (18pos.)



High pin-count (30pos.)

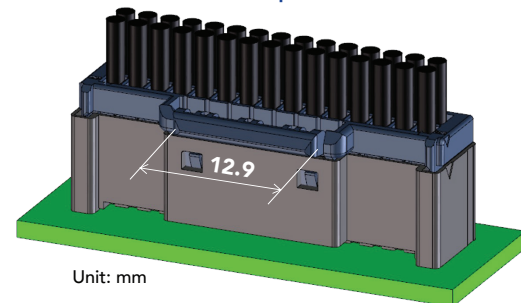
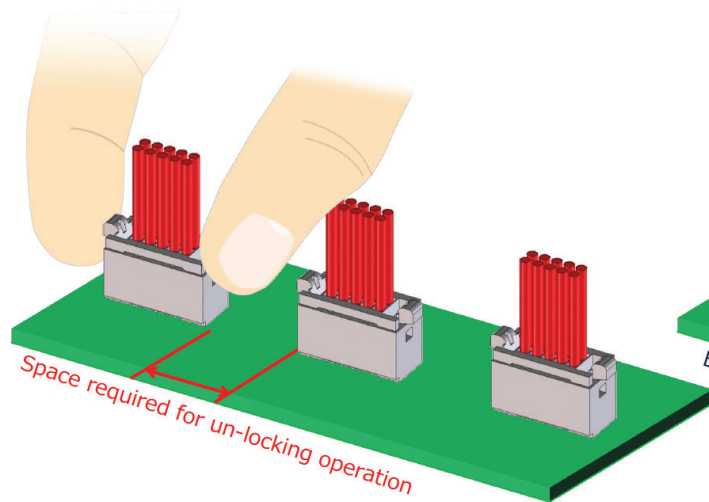


Image: straight THT type

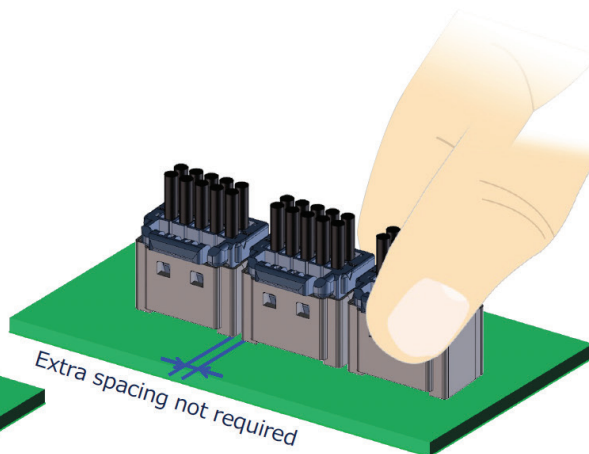
Unit: mm

High Density Mounting

Side-Lock Type



Center-Lock Type (DF51K)



HIGH DENSITY MOUNTING CONTRIBUTES TO SPACE SAVING

Specifications

MATERIAL & FINISH						
COMPONENT		MATERIAL	FINISH			
Housing	Header	PBT	UL94V-0, Black			
	Socket	PBT	UL94V-0, Black			
Header contact		Brass	Tin or Gold plated over nickel under plating			
Crimp contact		Phosphor bronze	Tin or Gold plated over nickel under plating			
CHARACTERISTICS						
Rated current		22 AWG	24 AWG	26 AWG	28 AWG	30 AWG
	Single row	2A-3A	2A-2.5A	2A	1A	0.5A
	Double row	2A-3A	2A-2.5A	1.5A-2A	1A	0.5A
Rated voltage	250V AC/DC					
Operating temperature	-55 to +105°C*					
Contact resistance	30mΩ Max (20mV, 1mA)					
Insulation resistance	1,000MΩ Min (500V DC)					
Withstanding voltage	650V AC for 1 minute					
Durability	30 times (Sn), 50 times (Au)					

- **RoHS compliant**

* Including the temperature rising by current flow.



For additional information please go to www.hirose.com/product/series/DF51K

Specifications herein are subject to change without notice.
Contact Hirose for latest specifications, drawings, or availabilities.

STAY CONNECTED

