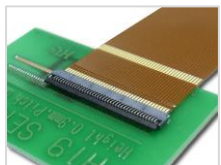


Click here
for the
Samples

Connectors for IoT module

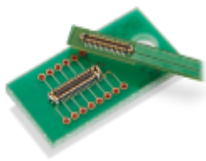
① Display and Sensor

Standard ZIF
Pitch=0.5mm



FH34 Series

Narrow Hybrid
Width=1.7mm, 5A

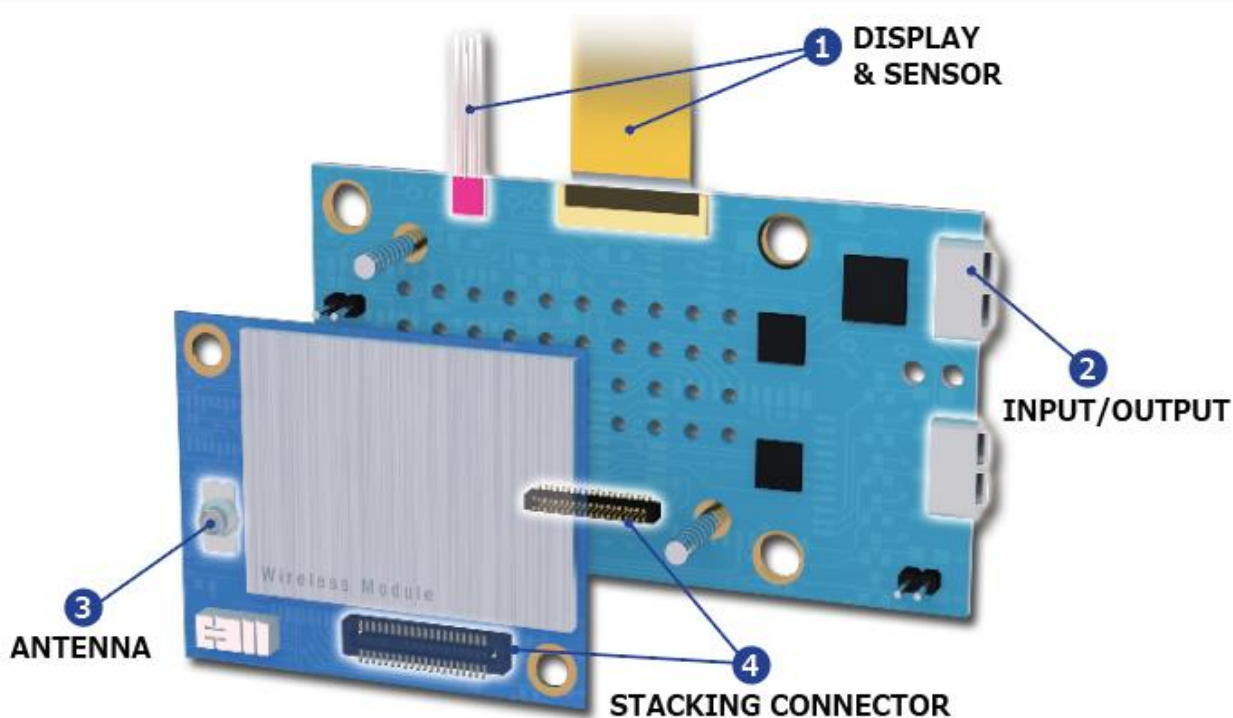


BM28 Series

Snap Lock,
3A



DF57 Series



② I/O

USB Type-C
5A variation



CX90 Series

Micro SD



DM3 Series

③ Antenna

Standard RF



U.FL Series

Micro RF



X.FL Series

RF BtoB
~12Ghz



BM46 Series

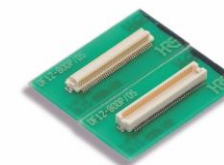
④ Stacking connector

Pitch 0.4mm
Height=1.5-4.0mm



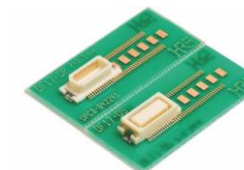
DF40 Series

Pitch 0.5mm
Height=3.0-5.0mm



DF12 Series

Pitch 0.5mm
Height=4.0-8.0mm



DF17 Series