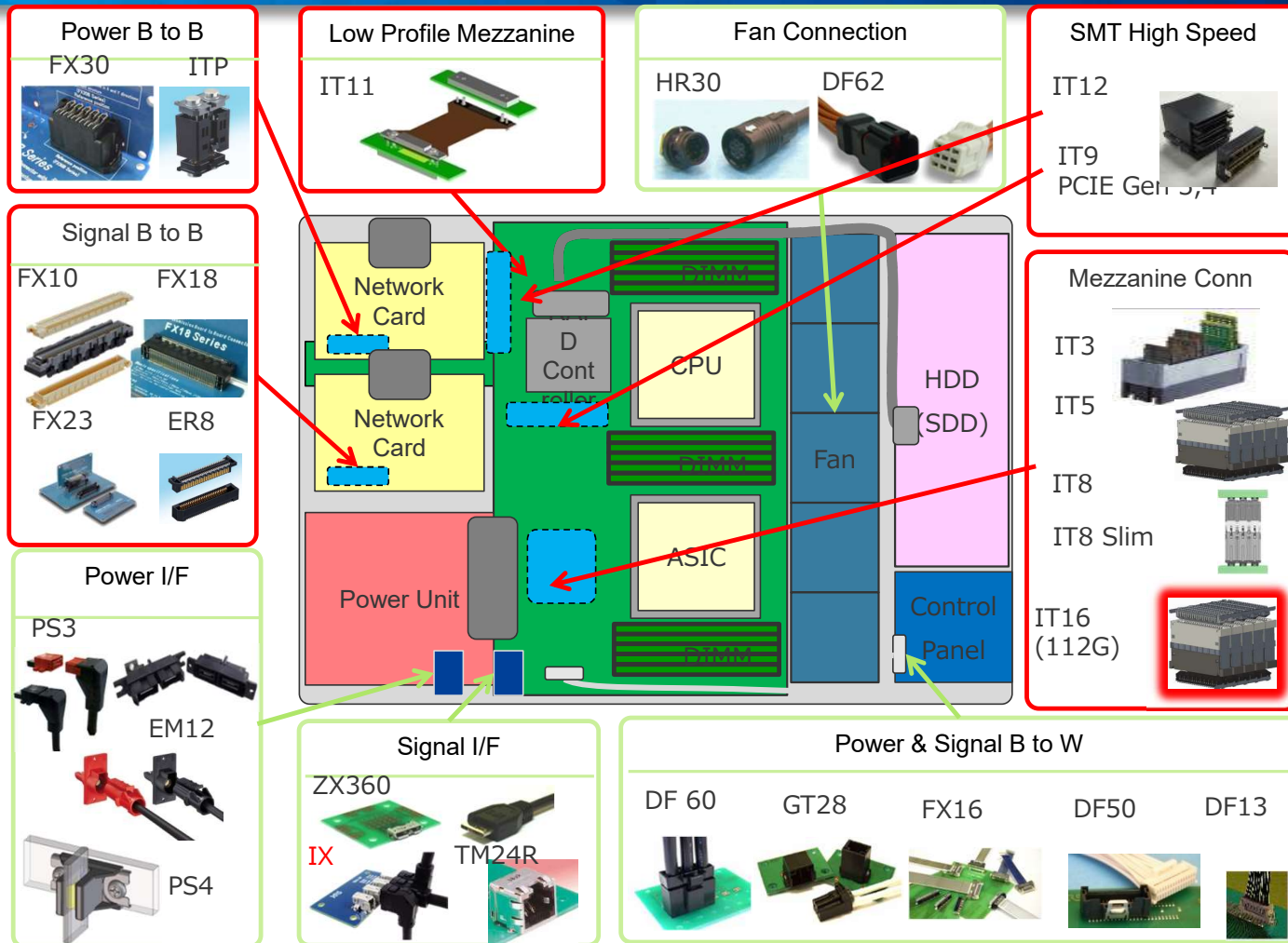
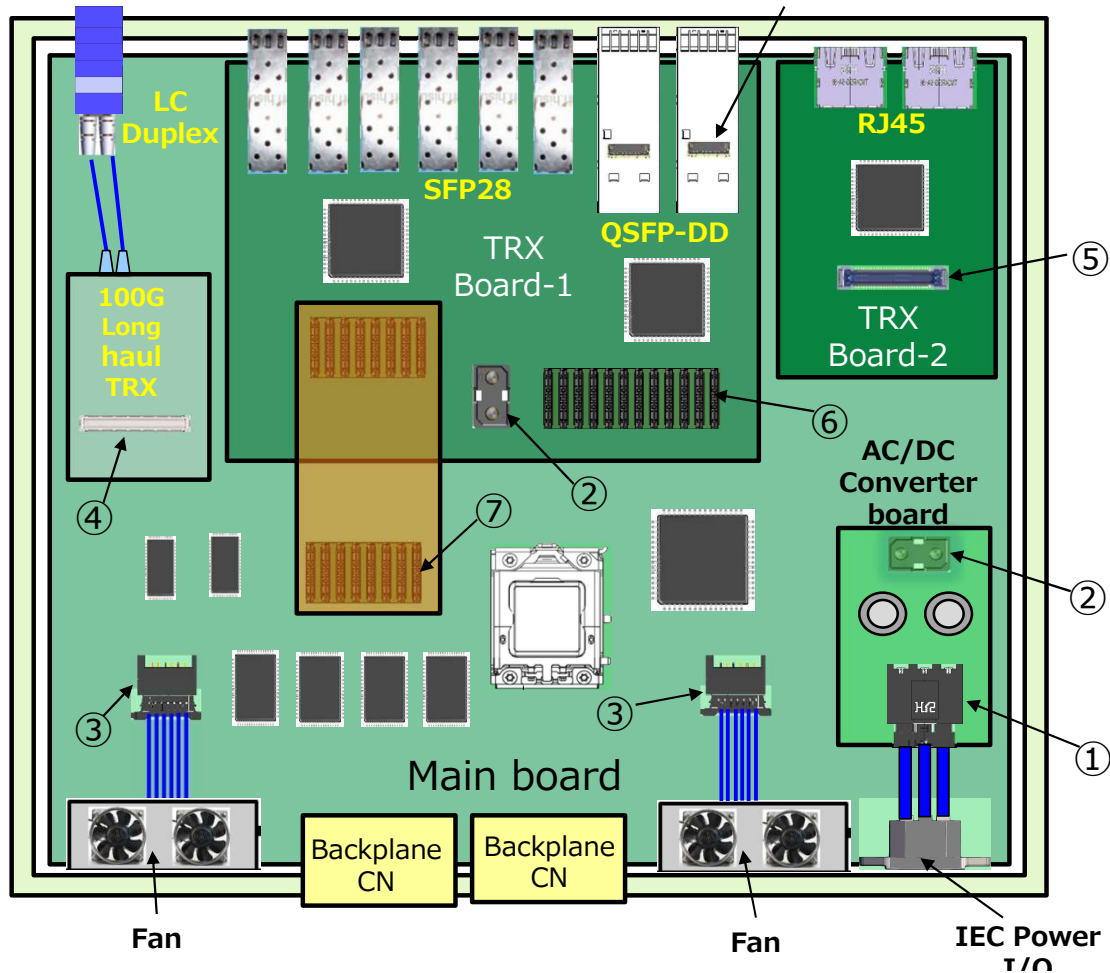


# Servers



# Routers



No.	Connector type	Hirose proposal
①	Power Wire to Board	<b>DF60</b>
②	Power Mezzanine	<b>IT-P</b>
③	Wire to Board for Fan	<b>DF50A</b> <b>DF51</b>
④	High Speed Mezzanine for 100G Long Haul TRX	<b>FX10</b> <b>168-pin</b>
⑤	High Speed Mezzanine	<b>FX23</b>
⑥	High Speed Mezzanine	<b>IT8</b>
⑦	High Speed Cable	<b>IT8-FPC</b>
⑧	FPC to Board inside SFP & QSFP	<b>DF40</b> <b>DF40GL</b> <b>FH62</b>