

Endoscopic System

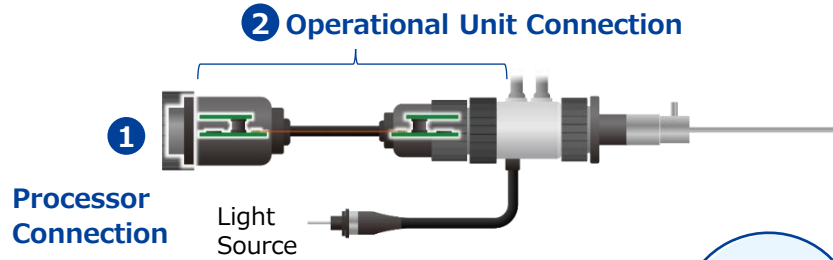


Endoscope

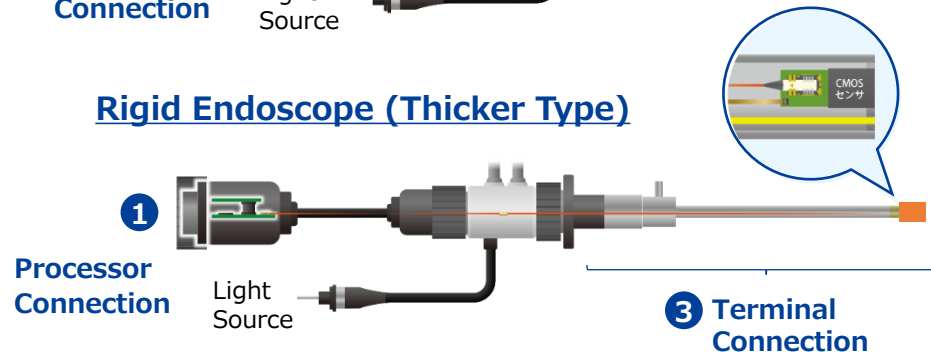
Flexible Endoscope



Rigid Endoscope (Thinner Type)



Rigid Endoscope (Thicker Type)



1 2 Board-to-Board for Processor/Operational Unit Connection



DF40

Pitch : 0.4mm
Stacking Height : 1.5-4.0mm
No. of Pos.: 10-120



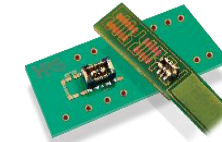
DF40T

125°C High Heat Resistance
Pitch : 0.4mm
Stacking Height : 1.5-7.0mm
No. of Pos.: 10-120
Wide Variations



BM28

Pitch : 0.35mm
Depth : 1.7mm
Stacking Height : 0.6mm
No. of Pos.: 2 (Power)
6-60 (Signal)



BM29

Pitch : 0.35mm
Depth : 1.5mm
Stacking Height : 0.6mm
No. of Pos.: 2 (Power)
2-24 (Signal)

3 Terminal Connection



BF4M

-Ultra-small Optical Transmission Module
-6.25Gbps
High Speed Transmission
-EMI Protection



FJ

-Compact optical fiber in-line connector
-Easy and Secure Bayonet Lock
-ø0.5 Bending Resistant Fiber (GI 50/80)
-ø0.9 General Purpose Fiber (GI 50/125)